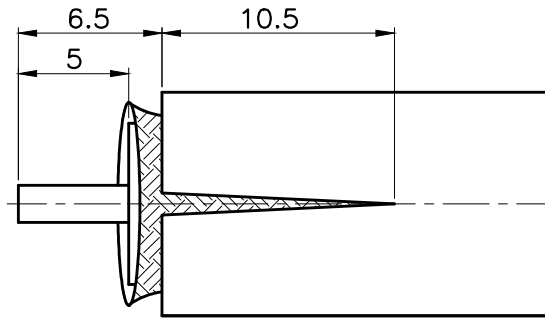
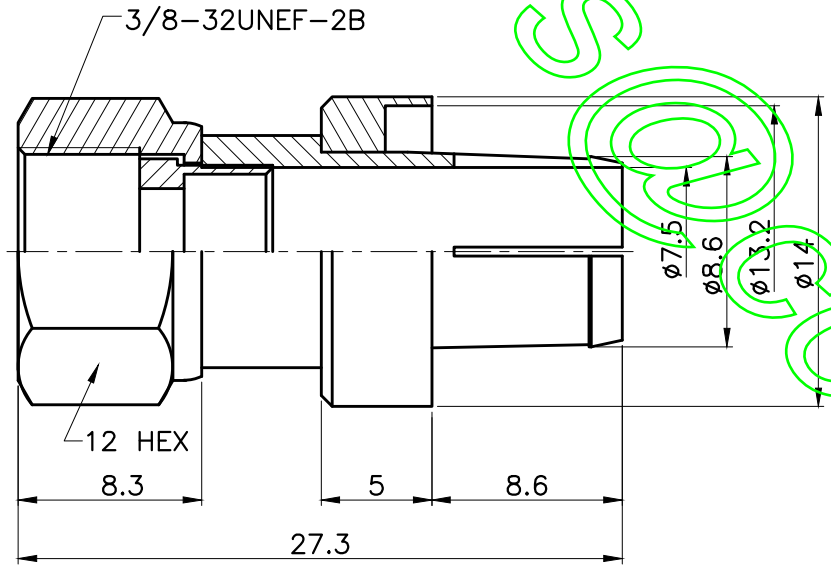


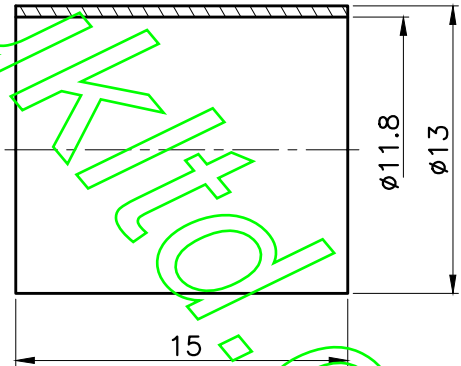
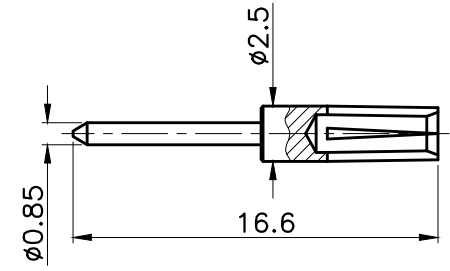
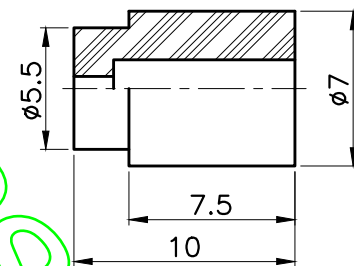
REVISIONS	
ISS	DESCRIPTION\DATE



RoHS COMPLIANT



CABLE STRIPPING DIM'S



1. CRIMPED FERRULE
HEX CRIMP SIZE .449"



TITLE: F MALE
(FOR CT167)
PART NO: FPCRCT167
DRAWING

APRD:	UNLESS OTHERWISE SPECIFIED TOLERANCES 0.5-6 = ±0.2 >6-30 = ±0.4 >30-120 = ±0.6 >120-315 = ±1 >315-1000 = ±1.6 ANGLES = ±5°				
CHKD:		FERRULE	BRASS	NICKEL	KA/2005/10527\ KA/2005/60362
DR:		CONTACT PIN	BRASS	NICKEL	KA/2005/10527\ KA/2005/60362
DATE: 05/26/09"	UNIT: mm	INSULATOR	TEFLON	WHITE	KA/2005/50918
金澤主體	SCALE: 3/1	SHELL	BRASS	NICKEL	KA/2005/10527\ KA/2005/60362
		BODY	BRASS	NICKEL	KA/2005/10527\ KA/2005/60362
		NO. DESCRIPTION	MATERIAL	FINISH	SGS REPORT NO